

1

2

3

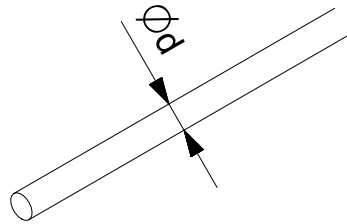
4

5

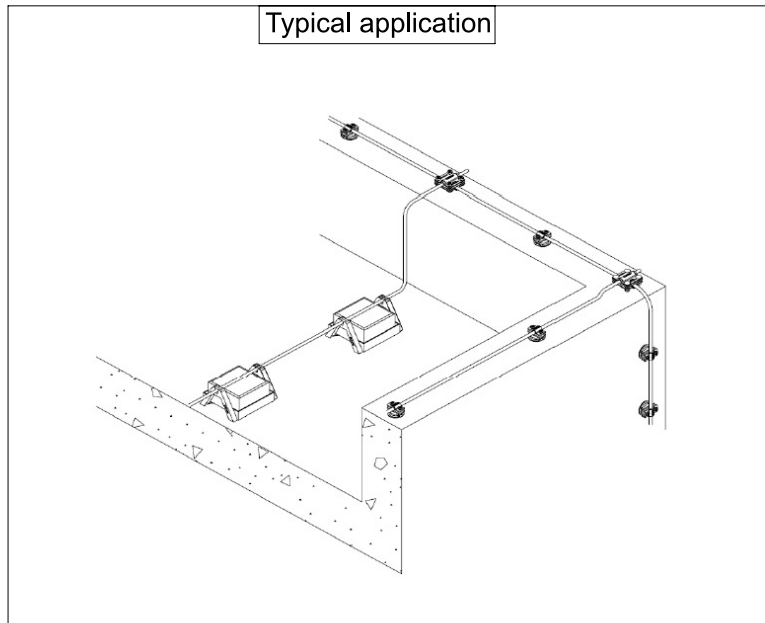
6

### Description

Solid round conductor, tested according to IEC 62561-2, made out of hot dip galvanized steel (St/tZn). It is used as air termination conductor, down conductor and earth conductor.



### Typical application



Description	Raw material	Item code	d	Length (m) approx.
Round conductor	St/tZn	64 00 108	8	100
		64 00 118	8	50
		64 00 011	10	50
		64 00 111	10	25
	St/eCu	64 20 018	8	100



Title:

Solid round conductor

FIRST ISSUED June 2016

DRAWN BY Dionysopoulos G.

CHECKED BY Kokkinos N.

APPROVED BY Kokkinos N.

SCALE None

ISSUANCE DATE July 2021

Model

64 00 x1x



www.elemko.gr



elemko@elemko.gr

SHEET 1 OF 1

All dimensions in mm

1

2

3

4

5

A4