

1

2

3

4

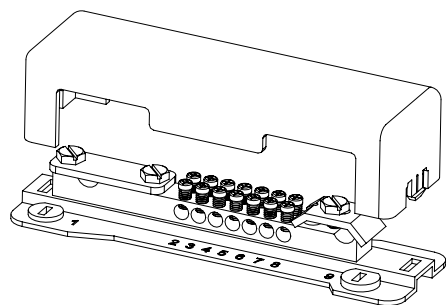
5

6

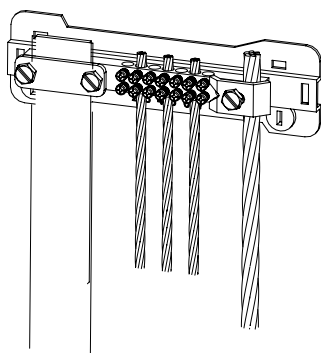
### Description

Equipotential earthing bar, tested according to IEC 62561-1, Class "H" (Heavy duty), and is consisted of:

- 1) A plastic (PVC) cover.
- 2) A copper alloy bar. The dimensions of the bar are 135x14x10 mm.
- 3) One (1) conductor terminal 50mm<sup>2</sup>.
- 4) Seven (7) conductor terminals 6 – 25mm<sup>2</sup>.
- 5) One (1) tape terminal 30mm or conductor Ø8 – 10mm.



Typical application



All dimensions in mm

1




2

3

4

5

A4

Description		Raw material	Item code
Equipotential earthing bar		PVC / Cu-A	66 00 000
		Title:	
		Equipotential earthing bar	
FIRST ISSUED	June 2016	Model	
DRAWN BY	Dionysopoulos G.		
CHECKED BY	Kokkinos N.		
APPROVED BY	Kokkinos N.	66 00 000	
SCALE	None	 <a href="http://www.elemko.gr">www.elemko.gr</a>	 <a href="mailto:elemko@elemko.gr">elemko@elemko.gr</a>
ISSUANCE DATE	July 2021	SHEET 1 OF 1	