

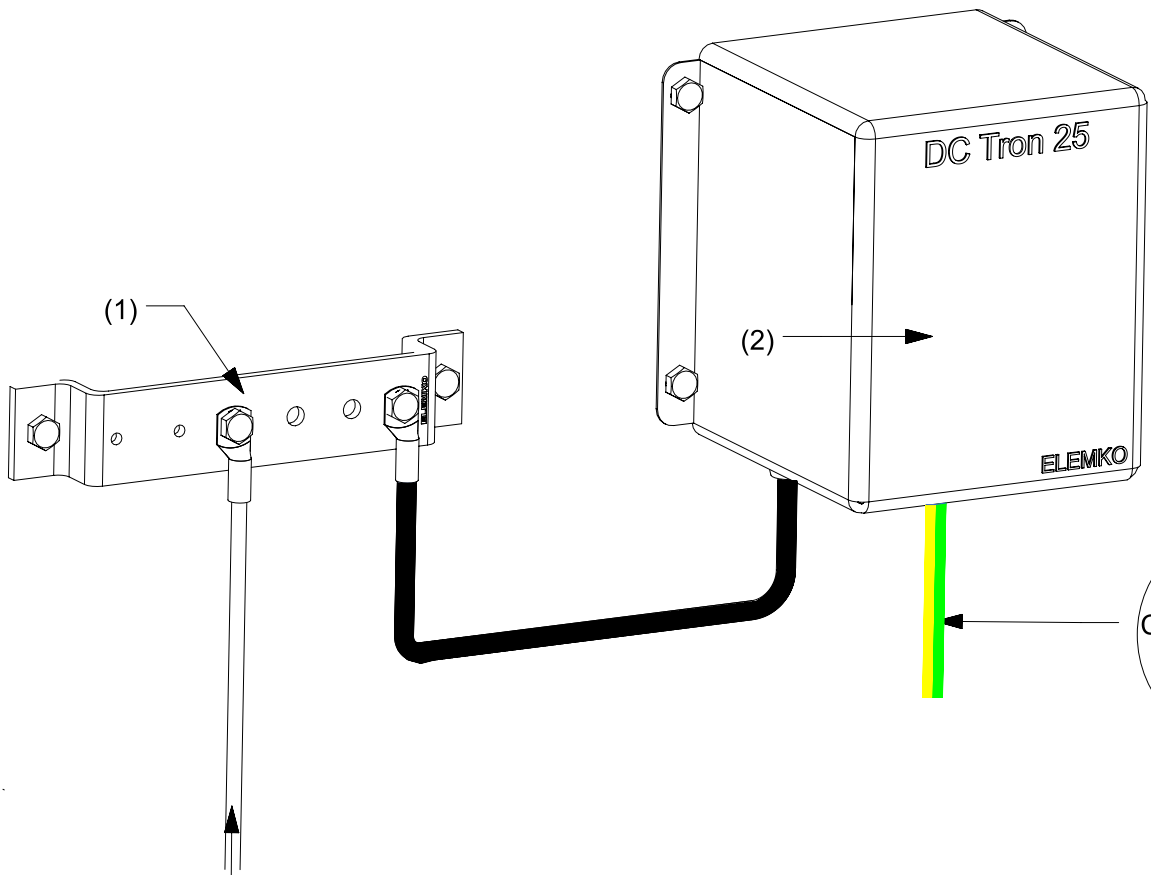
1 2 3 4 5 6

A A

B B

C C




D D



(1):Cu/eSn equipotential earthing bar ELEMKO code 66 20 004 tested according IEC EN 62561 - 1 &  
 (2) DC decoupling device ELEMKO code 66 03 001

Connection to Cu  
earth electrode

Connection to St/tZn  
earth electrode

		Title:	
		Voltage limiter installation for DC corrosion current decoupling	
FIRST ISSUED	July 2019	DRG No.	
DRAWN BY	Dionysopoulos G.		
CHECKED BY	Kokkinos N.	086-9	
APPROVED BY	Kokkinos N.	 www.elemko.gr  elemko@elemko.gr	
SCALE	None		
ISSUANCE DATE	July 2019	SHEET 1 OF 1 / 2nd EDITION	

1 2 3 4 5 A4