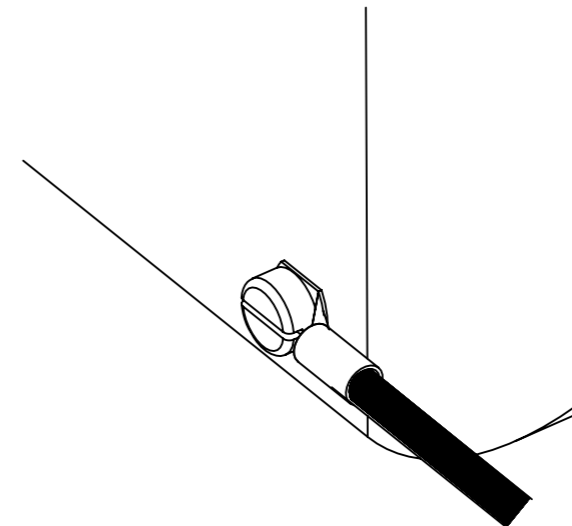





Detail A

Surge protective device suitable for protection of LAN (Local Area Networking) with terminal connector RJ45, ELEMKO code 68 02 400



Detail B

Earthing to metallic surface

		Brand name: Data Tron LAN 5	
		Application: LAN networks	
FIRST ISSUED	March 2020	DRG NO. Elec-004	
DRAWN BY	Dionysopoulos G.		
CHECKED BY	Kokkinos N.	 	
APPROVED BY	Kokkinos N.		
SCALE	None	SHEET 1 OF 1	
ISSUANCE DATE	March 2020		