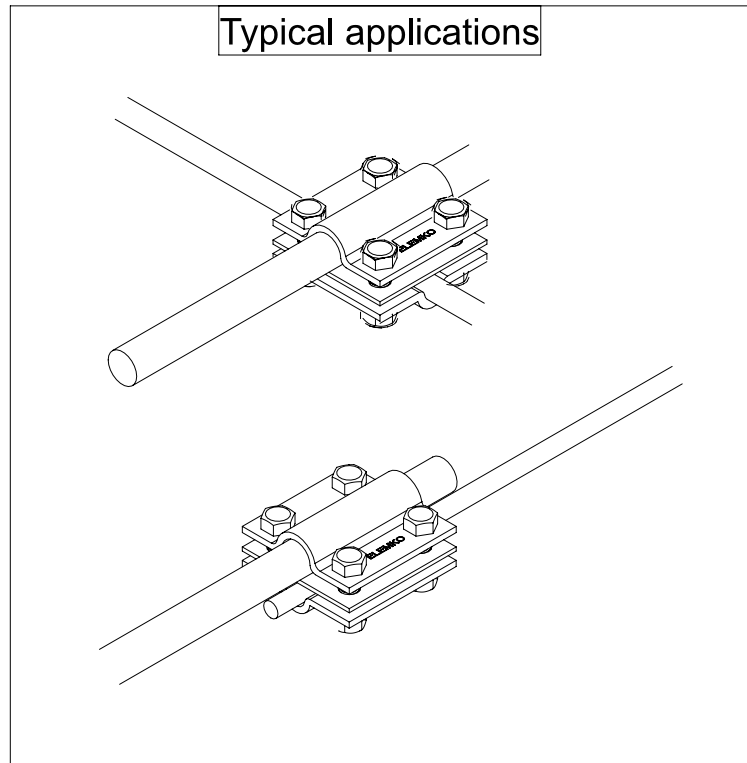


Description

Clamp, tested according to IEC EN 62561-1, Class "H" (Heavy duty), for use in air termination, down conductor and earthing system. The clamp is suitable for connecting solid round or stranded conductors. The clamp is composed out of two plates with dimensions 60x60x4mm and one intermediate plate with dimensions 60x60x2 mm. The tightening is achieved by four hexagon head screws M8x30 mm and four nuts M8.

Typical applications



Description	Raw material	Item code	d_1 / d_2	Optional conductor (Round)
Cross and 'T' connector	St/tZn	62 01 818 (St/tZn screws)	8-10 / 8-10	64 00 011 / 64 00 011
		62 08 116 (St/tZn screws)	8-10 / 16	64 00 011 / 64 00 600
		62 01 819 (SSt/V2A screws)	8-10 / 8-10	64 00 011 / 64 00 011
		62 08 117 (SSt/V2A screws)	8-10 / 16	64 00 011 / 64 00 011
	Cu	62 21 818 (SSt/V2A screws)	8-10 / 8-10	64 20 008 / 64 20 008
		62 22 112 (SSt/V2A screws)	12-14 / 12-14	64 20 120 / 64 20 120
		62 28 116 (SSt/V2A screws)	8-10 / 16	64 20 008 / 64 20 215
	Cu/eSn	62 21 819 (SSt/V2A screws)	8-10 / 8-10	64 22 008 / 64 22 008
62 28 117 (SSt/V2A screws)		8-10 / 16	64 20 008 / 64 20 215	



Title:

Cross and 'T' connector

FIRST ISSUED June 2016

DRAWN BY Dionysopoulos G.

CHECKED BY Kokkinos N.

APPROVED BY Kokkinos N.

SCALE None

ISSUANCE DATE July 2021

Model

62 xx 81x - 62 xx 11x



SHEET 1 OF 1

All dimension in mm

1

2

3

4

5

A4