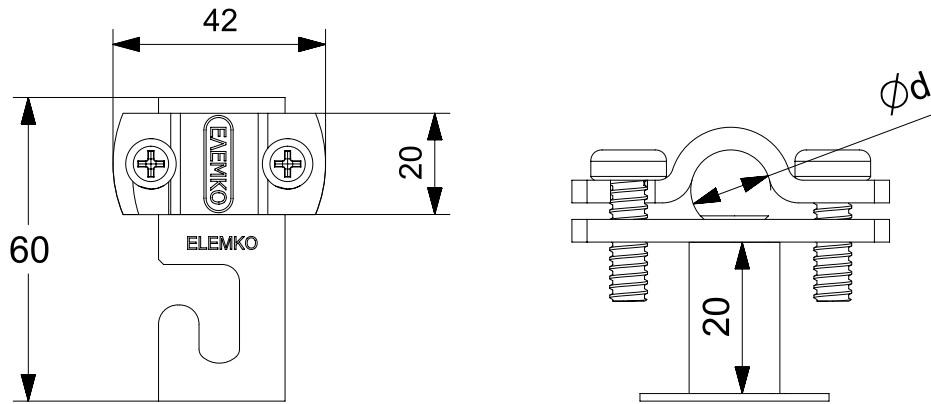
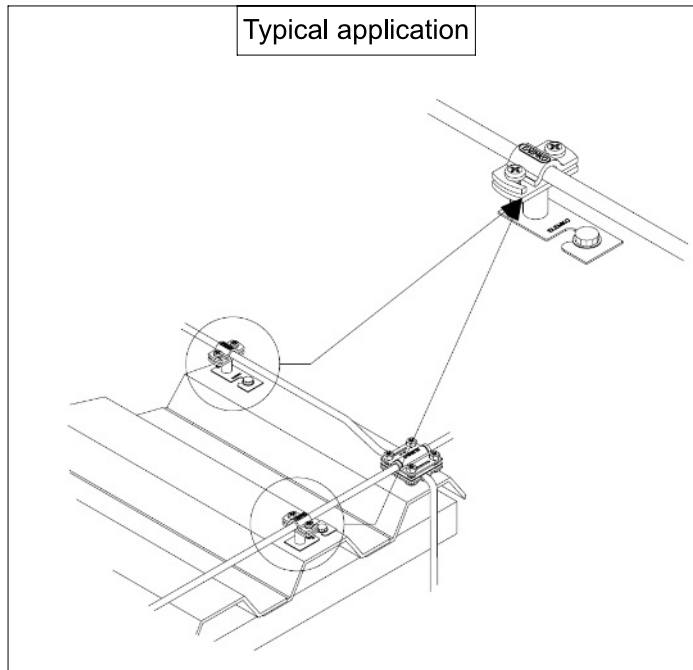


Description

Conductor fastener, tested according to IEC EN 62561-4, for use in air termination system. Suitable for fastening solid round or stranded conductor $\varnothing 8-10$ mm (50-70 mm²) on eternite or corrugated metal roofs. The fastener consists of the part which tightens the conductor and a stainless steel base which enables the fastener on the roof's fixing screws. The conductor's tightening is achieved by two stainless steel (V2A) screws M6x16 mm.



Typical application



Description	Raw material	$\varnothing d$	Item code	Optional conductor (Round)
Conductor's fastener	St/tZn	8-10	61 02 102	64 00 108
Conductor's fastener	Cu	8-10	61 22 102	64 20 008



Title:

Conductor fastener on eternite roofs or corrugated metal roofs

FIRST ISSUED June 2016

DRAWN BY Dionysopoulos G.

CHECKED BY Kokkinos N.

APPROVED BY Kokkinos N.

SCALE None

ISSUANCE DATE July 2021

Model

61 x0 102



www.elemko.gr



elemko@elemko.gr

SHEET 1 OF 1

All dimensions in mm

1

2

3

4

5

A4