

## PRODUCT DATA SHEET

### LIGHTNING PROTECTION AND EARTHING SYSTEM COMPONENTS

**Code: 61 02 102**

ed.02/2021

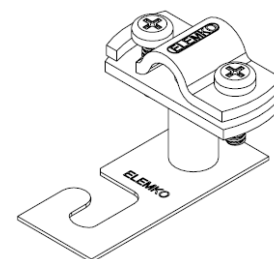
**Description: Ø8–10 mm St/tZn fastener for eternite or corrugated metal roofs**

#### Application

Fastening round or stranded conductor used in air termination system. Suitable for eternite roofs or corrugated metal roofs.

#### Classification as per IEC EN 62561

- Metallic.
- With screws.
- Designed to clamp but allow axial movement of the conductor.



#### Technical characteristics

Material	Fastener: Hot dip galvanized steel (St/tZn). Spacer: Aluminium (Al). Base: Stainless steel (SSt).
Screws	M6x16 mm, V2A stainless steel screws
Withstands (according to IEC EN 62561-4)	Lateral load, 200 N Axial load, 50 N

#### Installation instructions

Conductor's dimensions	Ø8–10 mm (50–70 mm <sup>2</sup> )
Compatibility with conductors made of	Al, SSt (Stainless Steel), St/tZn
Tightening torque of conductor	3,5Nm
Fixing	On the fixing screws of the roof panel.
Spacing between fasteners (Where additional mechanical strength is required, e.g snow, strong winds etc, the spacing between the fasteners should be ≤300 mm.)	≤1000 mm for solid conductor. ≤500 mm for stranded conductor. ≤300 mm before and after of change of direction or clamp or contraction-expansion absorbing component.

#### Testing as per IEC EN 62561

The component has successfully passed the testing requirements of standard IEC EN 62561-4 "Lightning protection system components (LPSC) – Part 4 : Requirements for conductor fasteners".  
Test report No **31110** by accredited laboratory as per ISO 17025

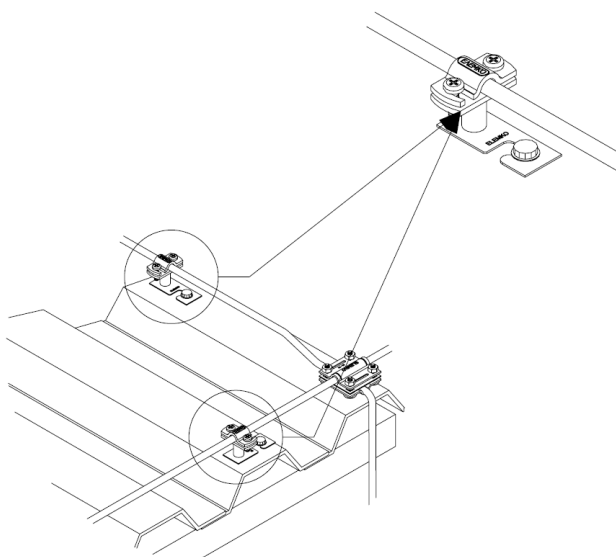
#### Manufacturing Quality Control

Manufacturing quality control according to standard ISO 9001

#### Country of Origin

Greece

**Unit: piece / Package: 50 pieces**



We reserve the right to introduce changes in the component due to technical evolution.