

PRODUCT DATA SHEET

LIGHTNING PROTECTION AND EARTHING SYSTEM COMPONENTS

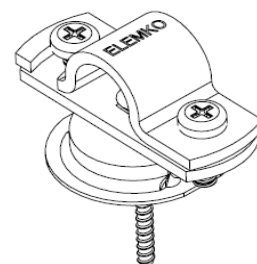
Code: 61 41 300

Description: Ø16 mm aluminium rod fastener

ed.02/2021

Application

Fastening round rod. Used in air termination rods, down conductor system (earth lead-in rods). Suitable for brick or concrete walls.



Classification as per IEC EN 62561

- Metallic.
- With screws.
- Designed to clamp but allow axial movement of the conductor.

Technical characteristics

Material	Conductor fastener: aluminium (Al) Spacer: Stainless steel (SSt)
Screws	M6x16 mm, V2A stainless steel screws One stainless steel wood fixing screw
Withstands (according to IEC EN 62561-4)	Lateral load, 200 N Axial load, 50 N

Installation instructions

Conductor's dimensions	Ø16 mm
Compatibility with conductors made of	Al, SSt (Stainless Steel), St/tZn
Tightening torque of conductor	3,5Nm
Fixing on brick or concrete wall	Through a wood fixing screw (included) and a PVC wall plug Ø8 mm (not included)
Spacing between fasteners	≤1000 mm.

Testing as per IEC EN 62561

The component has successfully passed the testing requirements of standard IEC EN 62561-4 "Lightning protection system components (LPSC) – Part 4 : Requirements for conductor fasteners".
Test report No **31107** by accredited laboratory as per ISO 17025

Manufacturing Quality Control

Manufacturing quality control according standard ISO 9001

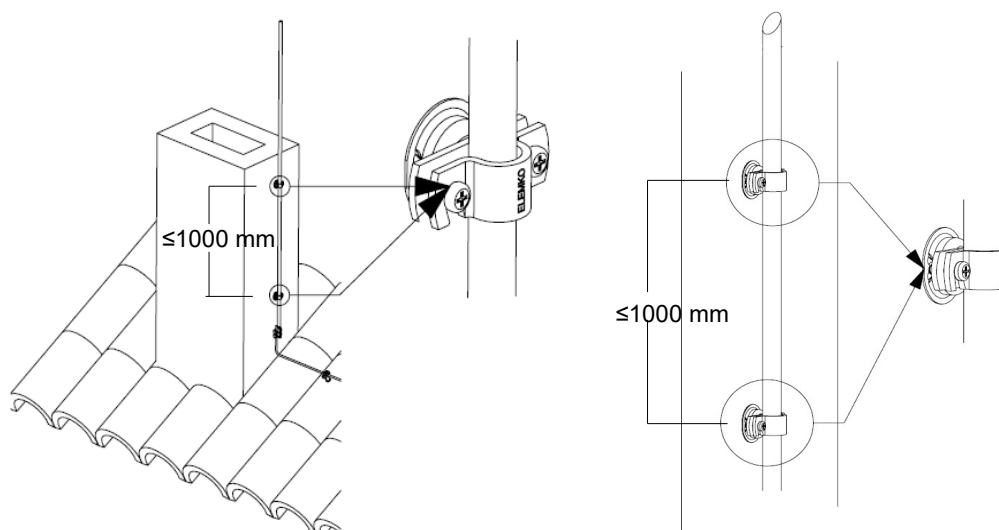
Country of Origin

Greece

Optional accessories¹⁾

PVC sealing washer, ELEMKO code 61 03 201

Unit: piece / Package: 50 pieces



¹⁾ See relevant data sheet

We reserve the right to introduce changes in the component due to technical evolution.