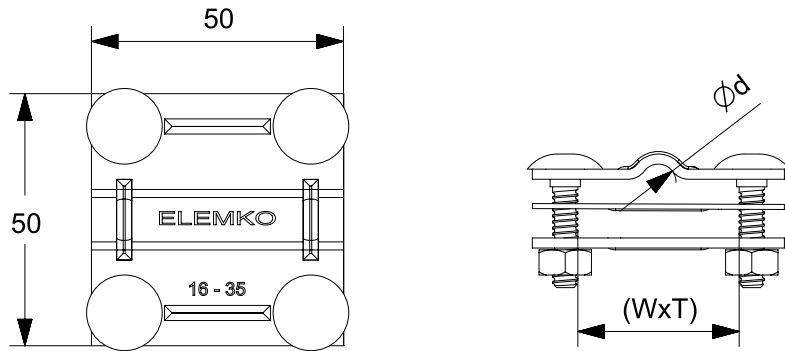


A

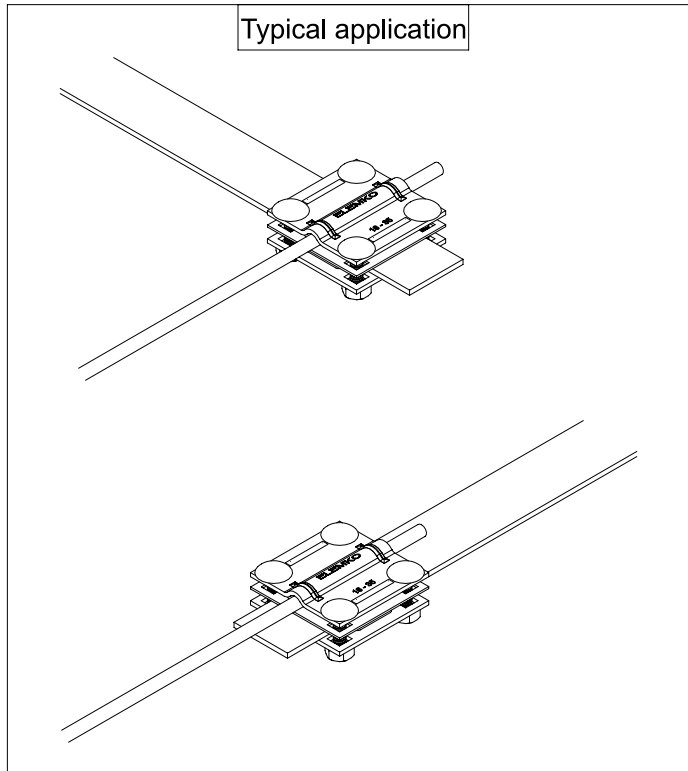


Description

Clamp, tested according to IEC EN 62561-1, Class "H" (Heavy duty), for use in air termination, down conductor and earthing system. The clamp is suitable for connecting round or stranded conductor to tape conductor. The clamp is composed out of two external plates with dimensions 50x50x2mm and one intermediate plate with dimensions 50x50x1,5 mm. The tightening is achieved by four stainless steel (V2A) carriage bolts M6x25 mm and stainless steel (V2A) nuts M6.

B




Typical application



C

D

All dimensions in mm

Description	Raw material	Item code	ϕd / (WxT)	Optional conductor (Round or stranded / Tape)
Cross and 'T' connector	SSt/V2A	62 61 834	16-35 mm ² / 25 - 30x5	64 20 135 / 64 20 403
		Title: Cross and 'T' connector		
FIRST ISSUED	June 2016	Model 62 61 834		
DRAWN BY	Dionysopoulos G.			
CHECKED BY	Kokkinos N.	 .elemko.gr  elemko@elemko.gr		
APPROVED BY	Kokkinos N.			
SCALE	None	SHEET 1 OF 1		
ISSUANCE DATE	July 2022			

A

B

C

D