

1 2 3 4 5 6

A

A

B

B

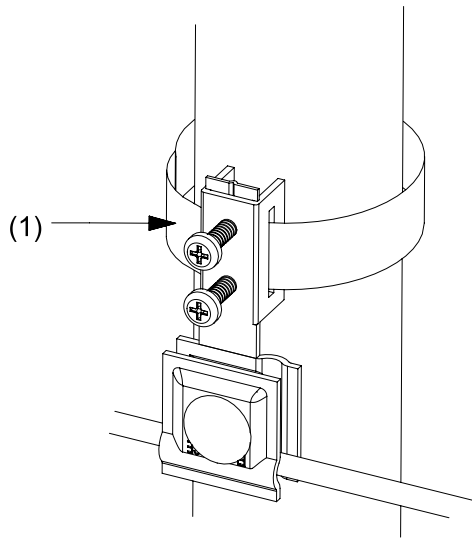
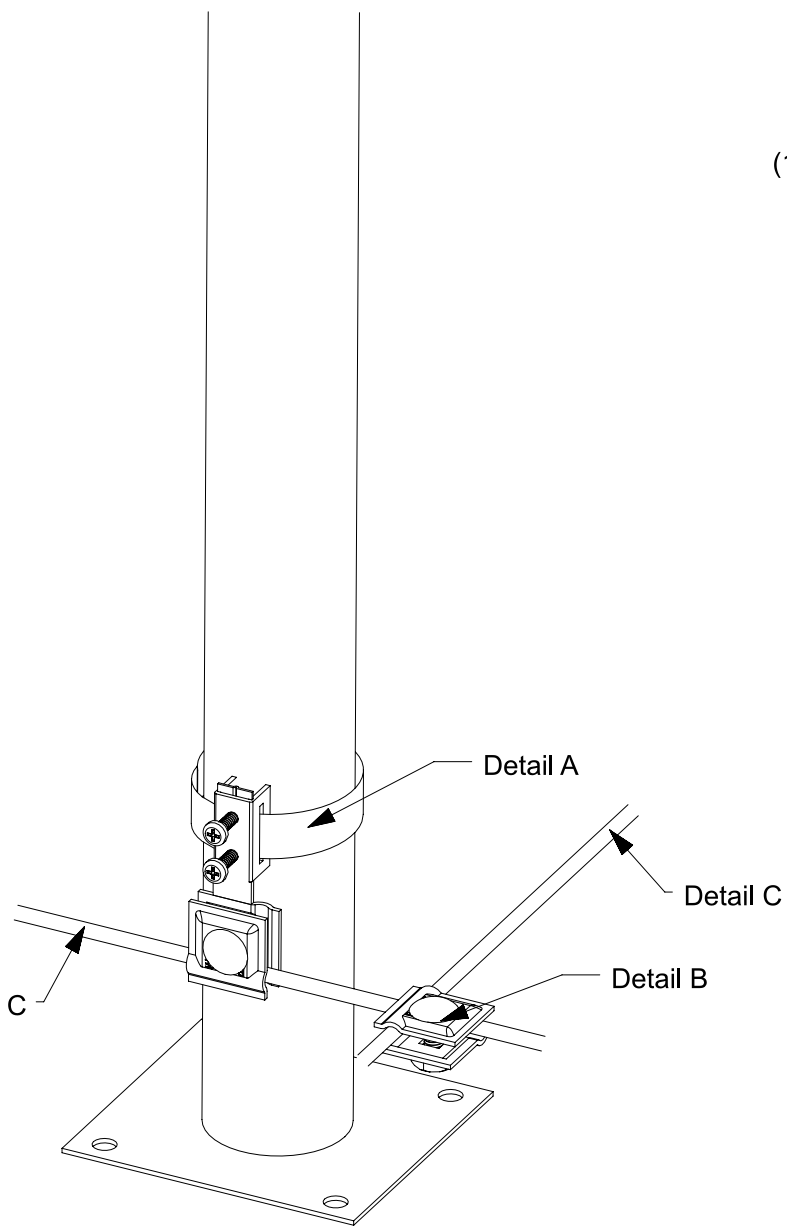
C

C

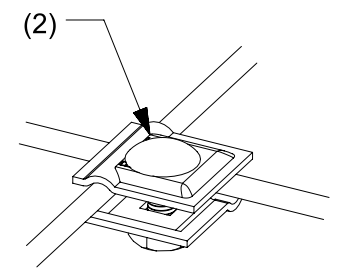
D

D

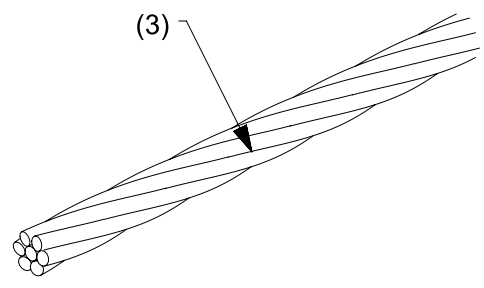
1 2 3 4 5 6 A4






Detail A
Adjustable pipe clamp ELEMKO code
65 62 203 tested according IEC EN 62651 - 1 (1)



Detail B
Universal connector clamp ELEMKO code
62 66 008 tested according IEC EN 62561 - 1 (2)



Detail C

		Title:	
		Bridging subfloor	
FIRST ISSUED	January 2017	Model	064-1
DRAWN BY	Dionysopoulos G.		
CHECKED BY	Kokkinos N.		
APPROVED BY	Kokkinos D.	 www.elemko.gr	 elemko@elemko.gr
SCALE	None		
ISSUANCE DATE	July 2022	SHEET 1 OF 1	