

1

2

3

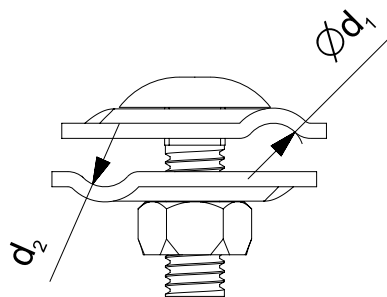
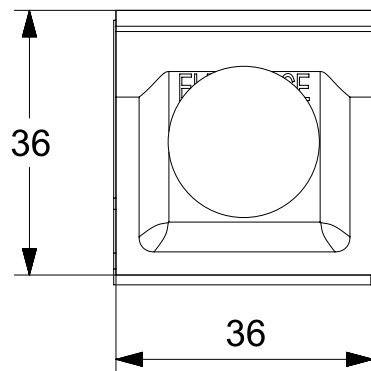
4

5

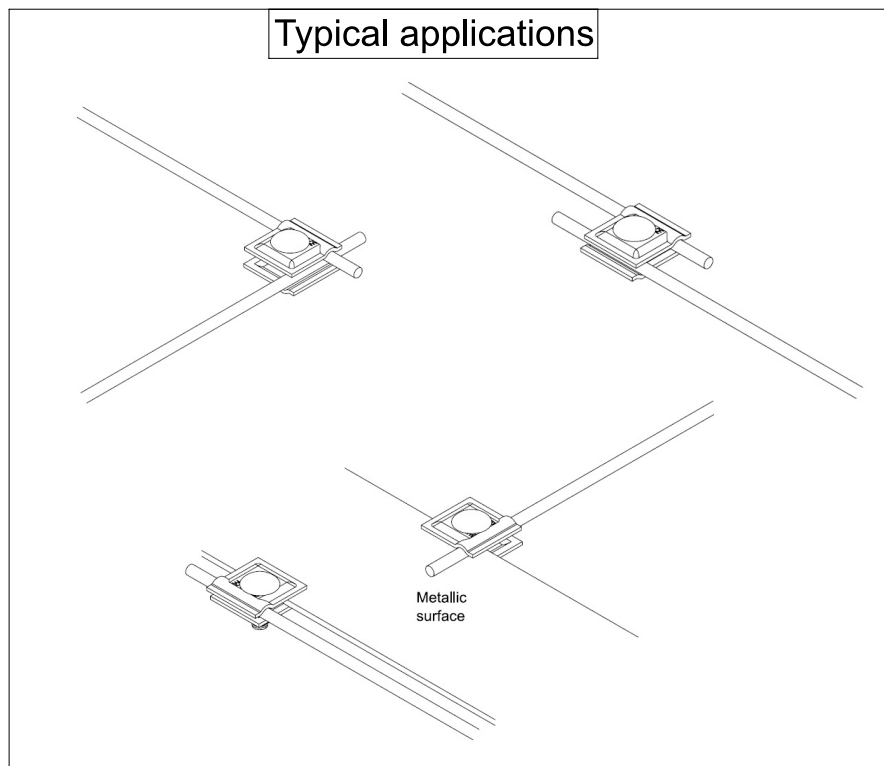
6

Description

Universal clamp, tested according IEC EN 62561 - 1, class "H" (Heavy duty), for connecting solid round ($\varnothing 6-8\text{mm}$) or stranded ($16-50\text{mm}^2$) conductors or solid round ($\varnothing 6-8\text{mm}$) or or stranded ($16-50\text{mm}^2$) conductor to metallic surface up to 5mm thickness. The clamp is composed out of two plates with dimensions 36x36x2. The tightening is achieved by a carriage bolt M8x40mm and M8 nut.



Typical applications



*Maximum dimensions
All dimensions in mm

Description	Raw material	d_1/d_2^*	Item code	Optional conductor (Round or stranded)
Universal connector-clamp	St/tZn	6-8 / 6-8	62 06 008	64 00 108
Universal connector-clamp	Cu	6-8 / 6-8	62 26 008	64 20 008
Universal connector-clamp	SSt/V2A	6-8 / 6-8	62 66 008	64 60 008



Title:

Universal connector - clamp

FIRST ISSUED January 2017

DRAWN BY Dionysopoulos G.

CHECKED BY Kokkinos D.

APPROVED BY Kokkinos D.

SCALE None

ISSUANCE DATE September 2021

Model

62 x6 008

 elemko.gr

 elemko@elemko.gr

SHEET 1 OF 1

1

2

3

4

5

A4