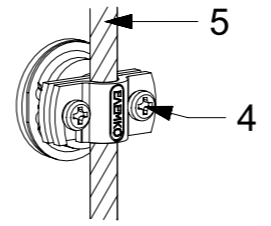
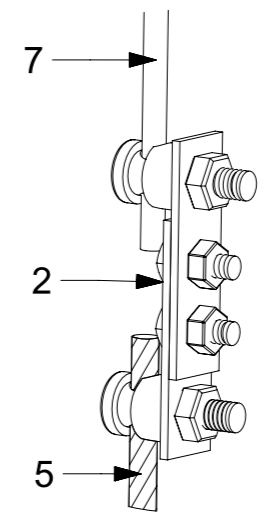


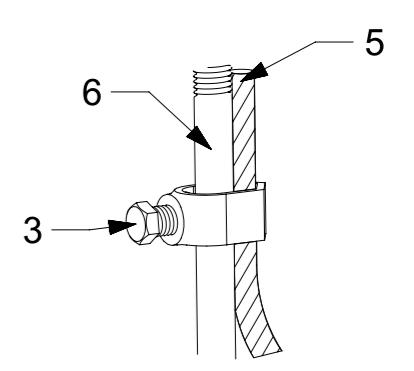
Detail A
Earth pit (1)



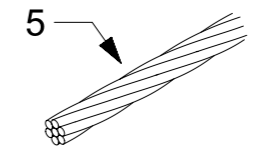
Detail D
Conductor fastener on concrete or brick walls (4) with stranded conductor (5)



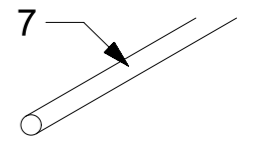
Detail B
Test clamp (2) with stranded (5) and round conductor (7)



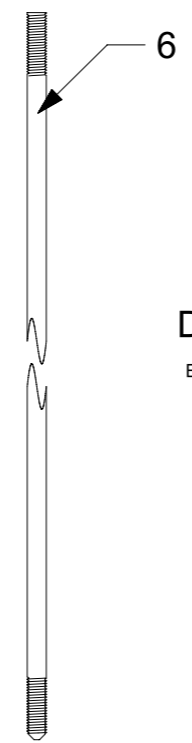
Detail C
Earth electrode clamp (4) with earth rod (7) and stranded conductor (6)



Detail E
Stranded conductor (5)



Detail F
Round conductor (7)



Detail G
Earth rod (6)

| ITEM | DESCRIPTION | DETAIL | FOR CONDUCTOR | |
|------|-----------------------|---------|---------------|-----------|
| | | | Copper (Cu) | STANDARD |
| 1 | Earth pit | A | 60 09 028 | 62561 - 5 |
| 2 | Test clamp | B | 62 25 040 | 62561 - 1 |
| 3 | Earth electrode clamp | C | 63 30 114 | 62561 - 1 |
| 4 | Conductor fastener | D | 61 21 100 | 62561 - 4 |
| 5 | Stranded conductor | B,C,D,E | 64 20 108 | 62561 - 2 |
| 6 | Earth rod | C,G | 63 21 412 | 62561 - 2 |
| 7 | Round conductor | B,F | 64 20 008 | 62561 - 2 |



Title:
Down conductor and connection with earth rods

| | |
|---------------|------------------|
| FIRST ISSUED | March 2017 |
| DRAWN BY | Dionysopoulos G. |
| CHECKED BY | Kokkinos N. |
| APPROVED BY | Kokkinos N. |
| SCALE | None |
| ISSUANCE DATE | March 2017 |

DRG NO. 035
<http://www.elemko.gr> elemko@elemko.gr

All dimensions in mm