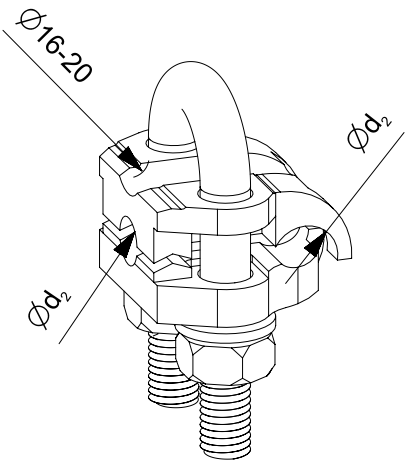


1 2 3 4 5 6

A

A



Description

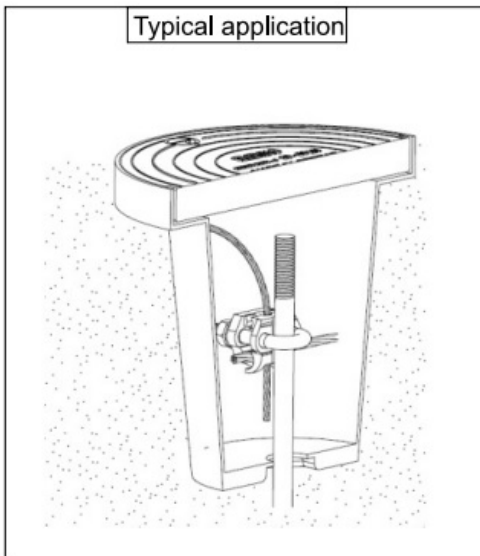
B

B

C




C

Typical application



D

D

Description	Raw material	$\varnothing d_1 - \varnothing d_2$	Item code	Optional electrode & conductor
Earth electrode clamp	Cu-A	150-240mm <sup>2</sup> - 150-240mm <sup>2</sup>	63 30 126	63 21 715 & 64 20 120
		Title:		
		Earth electrode clamp 3/4" - $\varnothing 20$ (150-240mm <sup>2</sup> )		
FIRST ISSUED	June 2016	Model		
DRAWN BY	Dionysopoulos G.			
CHECKED BY	Kokkinos N.	63 30 126		
APPROVED BY	Kokkinos N.	 <a href="http://www.elemko.gr">www.elemko.gr</a>  <a href="mailto:elemko@elemko.gr">elemko@elemko.gr</a>		
SCALE	None	SHEET 1 OF 1		
ISSUANCE DATE	July 2021			

All dimensions in mm

1 2 3 4 5 A4