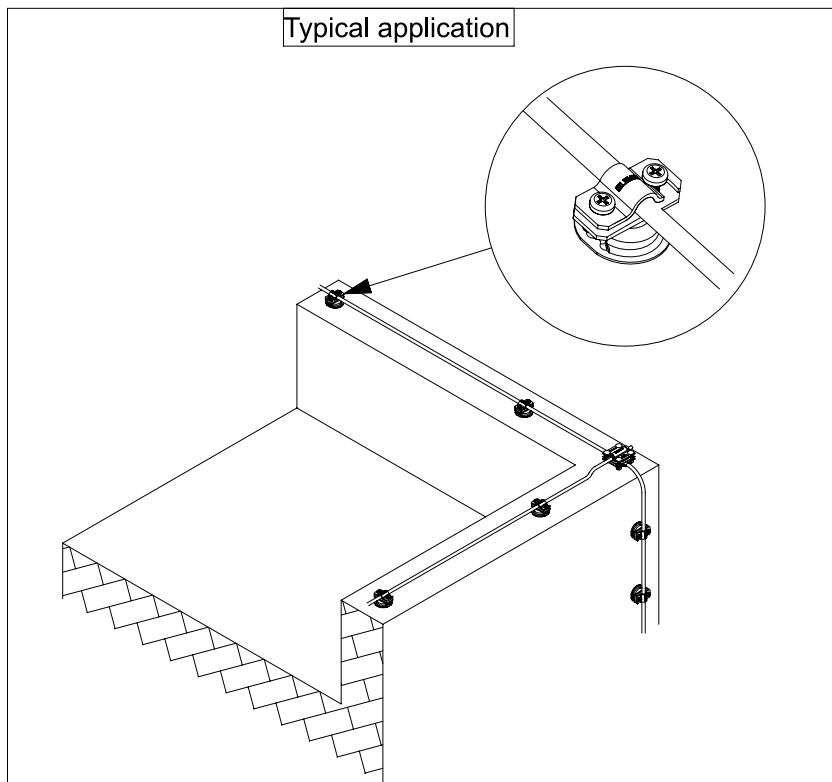



Description

Conductor fastener, tested according to IEC EN 62561-4, for use in air termination system, down conductor system. Suitable for fastening round or stranded conductor, on brick or concrete walls or on metallic surfaces. It is equipped with a wood fixing screw and a metallic spacer formed to receive the PVC sealing washer (not included). The conductor's tightening is achieved by two stainless steel (V2A) screws M6x14 mm.

Typical application



All dimensions in mm

Description	Raw material	ϕd	Item code	Optional conductor (Round)
Conductor's fastener with metallic spacer	St/tZn	8 - 10	61 01 100	64 00 108
		Title:		
		Conductor fastener on brick or concrete walls		
FIRST ISSUED	June 2016	Model		
DRAWN BY	Dionysopoulos G.			
CHECKED BY	Kokkinos N.	61 01 100		
APPROVED BY	Kokkinos N.	 		
SCALE	None			
ISSUANCE DATE	July 2021	SHEET 1 OF 1		