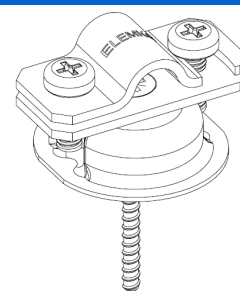


PRODUCT DATA SHEET

LIGHTNING PROTECTION AND EARTHING SYSTEM COMPONENTS

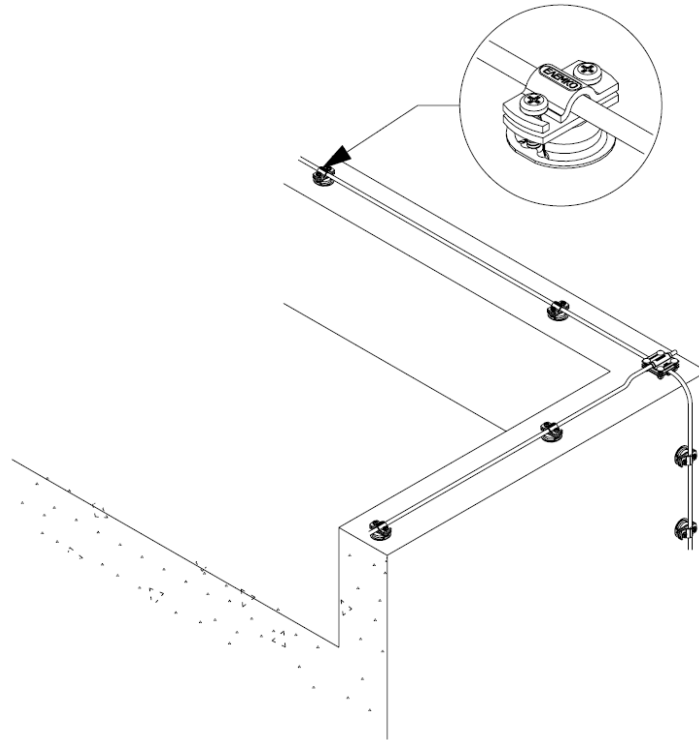
Code: 61 01 100	ed.02/2022
Description: Ø8–10 mm St/tZn conductor fastener	Page 1 of 2
Application	
Fastening round or stranded conductor. Used in air termination system, down conductor system. Suitable for brick or concrete surfaces.	
Classification as per IEC EN 62561	
<ul style="list-style-type: none"> • Metallic. • With screws. • Designed to clamp but allow axial movement of the conductor. 	
Technical characteristics	
Material	Hot dip galvanized steel (St/tZn)
Screws	M6x14 mm, V2A stainless steel screws One electroplated zinc steel wood fixing screw
Withstands (according to IEC EN 62561-4)	Lateral load, 200 N Axial load, 50 N
Installation instructions	
Conductor's dimensions	Ø8–10 mm (50–70 mm ²)
Compatibility with conductors made of	Al, SSt (Stainless Steel), St/tZn
Tightening torque of conductor	2,5Nm
Fixing on brick or concrete	Through a wood fixing screw (included) and a PVC wall plug Ø8 mm (not included)
Spacing between fasteners of air termination conductors	≤1000 mm for solid conductor ¹⁾ . ≤500 mm for stranded conductor ¹⁾ .
Spacing between fasteners of down conductors	≤1000 mm for solid conductor. ≤1000 mm for stranded conductor used for heights ≤20 m. ≤500 mm for stranded conductor for heights ≥20 m.
Before and after of change of direction or clamp or contraction-expansion absorbing component.	≤300 mm.
Testing as per IEC EN 62561	
The component has successfully passed the testing requirements of standard IEC EN 62561-4 "Lightning protection system components (LPSC) – Part 4 : Requirements for conductor fasteners". Test report No 32052 by accredited laboratory as per ISO 17025	
Manufacturing Quality Control	
Manufacturing quality control according standard ISO 9001	
Country of Origin	
Greece	
Optional accessories²⁾	
PVC sealing washer, ELEMKO code 61 03 201	
Unit: piece / Package: 50 pieces	
See below typical application of the fastener	



¹⁾ Where additional mechanical strength is required, e.g snow, strong winds etc, the spacing between the fasteners should be ≤300 mm.

²⁾ See relevant data sheet

We reserve the right to introduce changes in the component due to technical evolution.

PRODUCT DATA SHEET**LIGHTNING PROTECTION AND EARTHING SYSTEM COMPONENTS****Code: 61 01 100****ed.02/2022****Description: Ø8-10 mm St/tZn conductor fastener****Page 2 of 2**

Typical application of the fastener