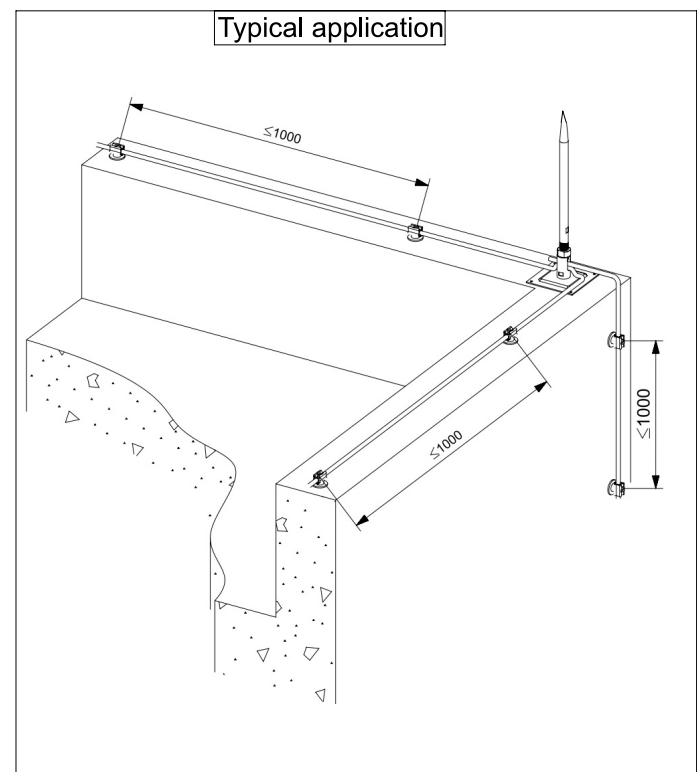
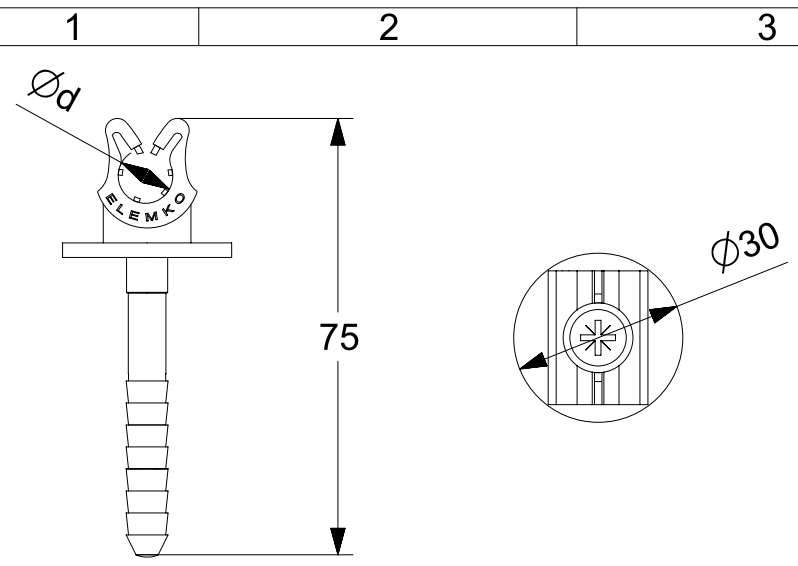





Description



*Maximum dimensions
All dimensions in mm

Description		Ød*	Raw material	Item code
Conductor fastener on brick or concrete walls		8	PL	61 71 100
		Title :		
		Conductor fastener on brick or concrete walls		
FIRST ISSUED	June 2016	Model		
DRAWN BY	Dionysopoulos G.			
CHECKED BY	Kokkinos N.	61 71 100		
APPROVED BY	Kokkinos N.	 .elemko.gr		 elemko@elemko.gr
SCALE	None	SHEET 1 OF 1		
ISSUANCE DATE	November 2022			