

PRODUCT DATA SHEET

LIGHTNING PROTECTION AND EARTHING SYSTEM COMPONENTS

Code: 62 01 040

ed.05/2023

Description: St/tZn round to tape conductor connector

Application

Clamp for connecting solid round or stranded conductor to tape conductor. Used in lightning protection system, earthing system.

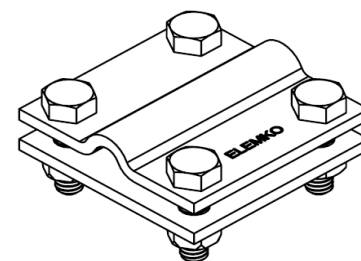
Classification

According to IEC EN 62561-1

- Heavy duty (H – 100 kA)
- Embedded in concrete
- Intended to withstand a static mechanical load
- Non-permanent connection

For earthing system applications

- Short circuit withstand capability 5 kA rms for 1 s
- Use above ground, buried in ground, embedded in concrete



Technical characteristics

Material	Hot dip galvanized steel (St/tZn)
Description	Is consisted of two plates with dimensions 70x70 mm.
Bolts / nuts	M8x30 mm, St/tZn hexagon head bolts M8 St/tZn nuts

Installation instructions

Conductor's dimensions	Ø8–10 mm (50–70 mm ²)
Tape's dimensions	20-40 mm & up to 6 mm thickness
Connection arrangements	Cross (B1) Parallel (B2)
Installation	Above ground, buried in ground, embedded in concrete
Can be connected above ground with	Al, Stainless Steel (SSt), St/tZn
Can be connected buried in ground with	Stainless Steel (SSt), St/tZn
Can be connected in concrete with	Cu, Cu/eSn, Stainless Steel (SSt), St/eCu, St/tZn
Tightening torque	13 Nm

Testing as per IEC EN 62561

The component has successfully passed:

The testing requirements of standard IEC EN 62561-1 "Lightning protection system components (LPSC) – Part 1 : Requirements for connection components". Test report No **30744** by accredited laboratory as per ISO 17025

Short circuit withstand capability tests. Test report No **1405/2022/DKK-05**

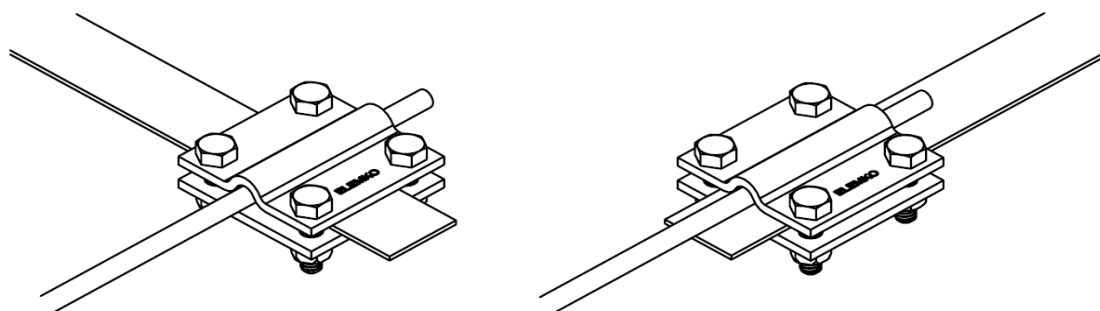
Manufacturing Quality Control

Manufacturing quality control according standard ISO 9001

Country of Origin

Greece

Unit: piece / Package: 15 pieces



We reserve the right to introduce changes in the component due to technical evolution.