

## PRODUCT DATA SHEET

### LIGHTNING PROTECTION AND EARTHING SYSTEM COMPONENTS

**Code: 62 24 060 (copper connector) / 62 24 061 (tin plated copper connector)**

**Description: Tape connector**

ed.05/2023

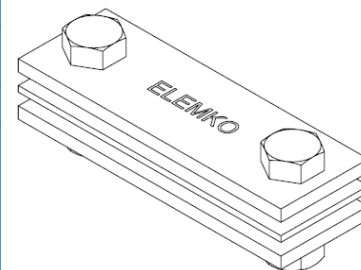
#### Application

Clamp for connecting tape conductors. Used in air termination system, down conductor system, earthing system.

#### Classification

- Heavy duty (H – 100 kA) <sup>(1)</sup>
- General use <sup>(1)</sup>
- Intended to withstand a static mechanical load <sup>(1)</sup>
- Non-permanent connection <sup>(1)</sup>
- Short circuit withstand capability 20 kA rms for 1s

<sup>(1)</sup> As per IEC EN 62561



#### Technical characteristics

Material	Copper (Cu) and/or tin plated copper (Cu/eSn)
Description	Is consisted of two external plates with dimensions 90x30 mm and one intermediate plate.
Bolts / nuts	M8x30 mm, V2A stainless steel hexagon head bolts M8 V2A stainless steel nuts

#### Installation instructions

Tape's dimensions	Up to 60 mm width & up to 6 mm thickness
Connection arrangements	Cross (B1), up to 40 mm width Parallel (B2), up to 60 mm width
Installation	Above ground, buried in ground, embedded in concrete
Can be connected above ground with	Cu, Cu/eSn, SSt (Stainless Steel), St/tZn*
Can be connected buried in ground with	Cu, Cu/eSn, SSt (Stainless Steel)
Can be connected in concrete with	Cu, Cu/eSn, SSt (Stainless Steel), St/tZn
Tightening torque	13 Nm

#### Testing as per IEC EN 62561

The component has successfully passed the testing requirements of standard IEC EN 62561-1 "Lightning protection system components (LPSC) – Part 1 : Requirements for connection components".

Test report No **30777** by accredited laboratory as per ISO 17025

The component has successfully passed short circuit withstand capability tests.

Test report No **1405/2022/DKK-10**

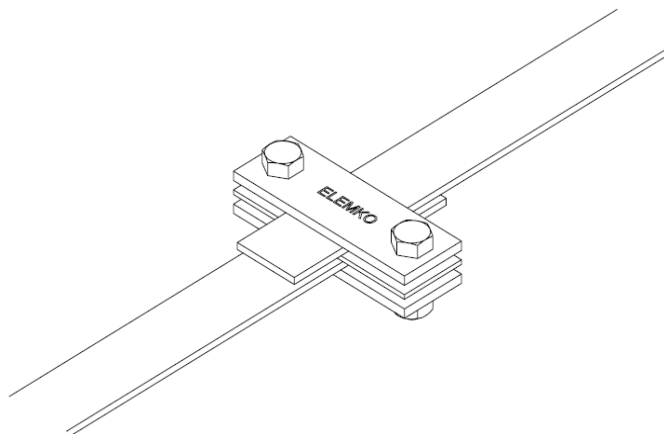
#### Manufacturing Quality Control

Manufacturing quality control according standard ISO 9001

#### Country of Origin

Greece

#### Unit: piece / Package: 25 pieces



\*Only for tin plated copper clamp

We reserve the right to introduce changes in the component due to technical evolution.