

PRODUCT DATA SHEET

LIGHTNING PROTECTION AND EARTHING SYSTEM COMPONENTS

Code: 62 61 830

Description: Stainless steel conductor connection clamp

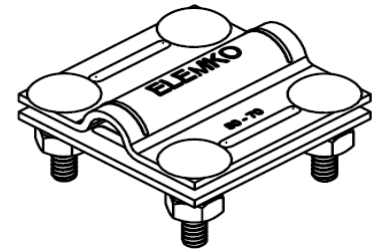
ed.05/2023

Application

Clamp, for connecting solid round or stranded conductor to tape conductor. Used in air termination system, down conductor system, earthing system.

Classification

- Heavy duty (H – 100 kA) ⁽¹⁾
 - General use ⁽¹⁾
 - Intended to withstand a static mechanical load ⁽¹⁾
 - Non-permanent connection ⁽¹⁾
 - Short circuit withstand capability 15 kA rms for 1s
- ⁽¹⁾ As per IEC EN 62561



Technical characteristics

Material	Stainless steel (SSSt grade V2A)
Description	Is consisted of two plates with dimensions 50x50 mm.
Bolts / nuts	M6x25 mm, V2A stainless steel carriage bolts M6 V2A stainless steel nuts

Installation instructions

Conductor's dimensions	Ø8–10 mm (50–70 mm ²)
Tape's dimensions	Up to 30 mm width and 5 mm thickness
Connection arrangements	Cross (B1) Parallel (B2)
Installation	Above ground, buried in ground, embedded in concrete
Can be connected above ground with	Al, Cu, Cu/eSn, Stainless Steel (SSSt), St/eCu, St/tZn (Al & St/tZn not simultaneously with Cu & St/eCu)
Can be connected buried in ground with	Cu, Cu/eSn, Stainless Steel, St/eCu, St/tZn (St/tZn not simultaneously with Cu, Cu/eSn & St/eCu)
Can be connected in concrete with	Cu, Cu/eSn, Stainless Steel (SSSt), St/eCu, St/tZn
Tightening torque	9 Nm

Testing as per IEC EN 62561

The component has successfully passed the testing requirements of standard IEC EN 62561-1 "Lightning protection system components (LPSC) – Part 1 : Requirements for connection components".

Test report No **30752** by accredited laboratory as per ISO 17025

The component has successfully passed short circuit withstand capability tests.

Test report No **1405/2022/DKK-11**

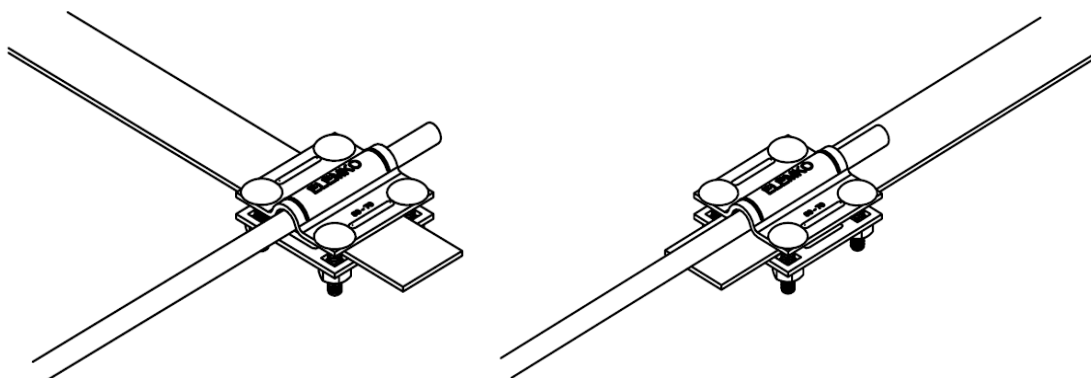
Manufacturing Quality Control

Manufacturing quality control according standard ISO 9001

Country of Origin

Greece

Unit: piece / Package: 25 pieces



We reserve the right to introduce changes in the component due to technical evolution.